

Parts List

8125.230 Milli



Table of Contents

1 Introduction.....	2
1.1 Specially approved products.....	2
2 Product Description.....	3
2.1 Products included.....	3
2.2 The data plate.....	3
3 Exploded View.....	4
3.1 8125.230.....	4
4 Spare Parts.....	5
4.1 8125.230.....	5

1 Introduction

Purpose of this manual

The purpose of this manual is to provide necessary information on spare parts and accessories order.

Disclaimer

Always use genuine Grindex parts. The use of other spare parts or accessories can invalidate any claims for warranty or compensation. Grindex does not take any responsibility for damages that are caused by the use of non-original parts. For more information, contact your local sales and service representative.

Data for ordering spare parts

The following information is needed for spare part orders:

- Serial number of the product
- Part number
- Quantity of bulk material, see * in tables

1.1 Specially approved products

Qualification of personnel

Only Grindex or Grindex-authorized service personnel may undertake repair work on Ex-approved products.

Dimensional accuracy inspection

Spare parts marked with (Ex) after the part number are subject to dimensional accuracy inspection when used in specially approved products.

2 Product Description

2.1 Products included

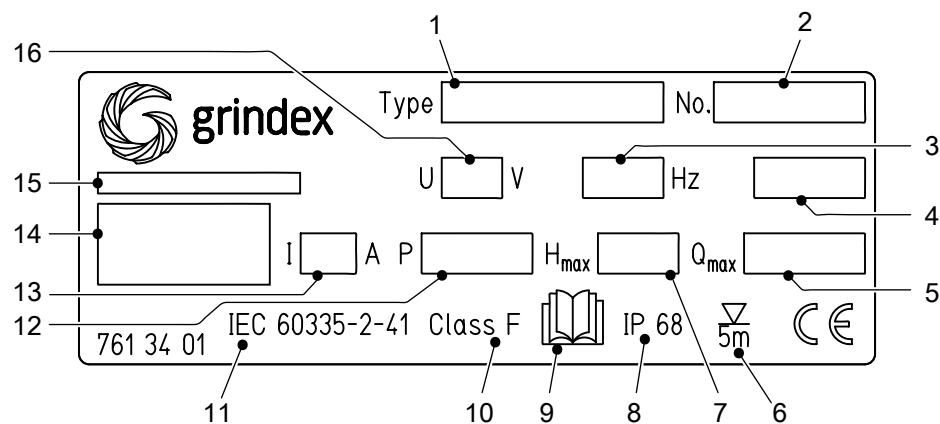
Pump model	Standard	EX	MSHA	Drainage	Sludge
Milli 8125.230	X			X	

2.2 The data plate

Introduction

The data plate is a metal label located on the main body of the pump. The data plate lists key product specifications.

The data plate

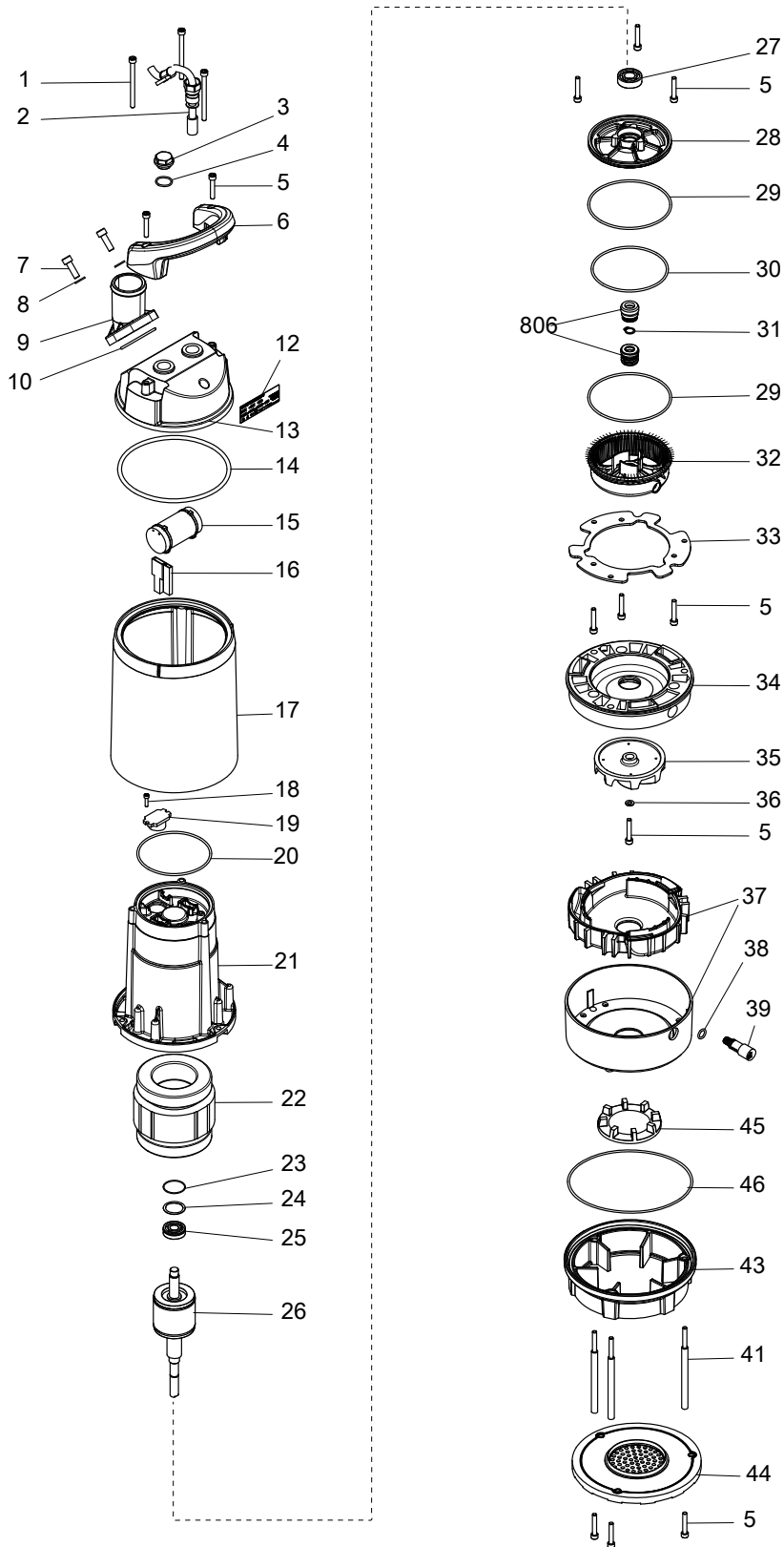


1. Pump model
2. Serial number
3. The first two characters describe the production year.
3. Phase; type of current; frequency
4. Product weight
5. Maximum capacity
6. Maximum submergence
7. Maximum head
8. Degree of protection
9. Read installation manual
10. Thermal class
11. International standard
12. Maximum power consumption
13. Rated current
14. Manufacturer
15. Country of origin
16. Rated voltage

W5006202B

3 Exploded View

3.1 8125.230



20239B_exp1_view_8125.230

4 Spare Parts

4.1 8125.230

Pos. No	Part. No	Denomination	Qty/Version	
			230	
1	410 777	Hex.socket hd screw M6X80-A2-70	3	
2	51 649 00	Motor cable unit 532.1U +H07RN-F 3X1 MM2	8,60 - 10mm L= 10m Supply connection: Plug IEC 83:1975 C4	1
2	51 649 07	Motor cable unit H07RN-F 3x1	8,60 - 10mm L= 10m Supply connection: Plug (2P +J) SEV 1011 S24507	1
2	51 649 01	Motor cable unit SOOW-16AWG/3 115V USA CDN	9,78 - 10,90mm L= 16m Supply connection: Plug IEC 83:1975 A5-15	1
2	51 649 05	Motor cable unit SOW-16AWG/3 230V USA CDN	9,78 - 10,90mm L= 16m Supply connection: Plug IEC 83:1975 A6-15	1
2	51 649 04	Motor cable unit H07RN-F 3X1 MM2 110V GB	8,70 - 9,30mm L= 10,60m Supply connection: Plug for FGB (2P+E), fuse 16A, 110-115V	1
2	51 649 02	Motor cable unit H07RN-F 3X1 MM2 230V GB	9 L= 9,50m Supply connection: Plug for FGB, fuse 13A, 230-240V	1
2	51 649 03	Motor cable unit H07RN-F 3X1 MM2 230V AUS	9 L= 9,50m Supply connection: Plug for FAUS 230-240V	1
3	51 650 00	Plug		1
4	410 778	O-ring 20.0X2.0 NBR		1
5	410 757	Hex.socket hd screw M6X35-A2-70		12
6	51 651 00	Handle		1
7	50 021 00	Hex.socket hd screw M8X25-A2-70		2
8	132 289	Plain washer 8.4X16X1.6- A2-140HV		1
9	50 839 00	Discharge connection 2"	DN 50 Hose Thread: ISO G2A Outer Second outlet included	1
9	50 839 02	Discharge connection ISO G2"	DN 50 Hose Thread: ISO G2A Outer Second outlet included DN 50 Thread: ISO G2A Outer Quick coupling: Storz	1
9	50 839 01	Discharge connection NPSM 2"	DN 50 Thread: NPSM 2-11 1/2 Outer	1

Pos. No	Part. No	Denomination	Qty/Version
			230
9	410 027	Coupling part DN 50 Thread: ISO G2A Outer Quick coupling: Storz	1
10	50 037 52	O-ring 52.5X3.0 NBR	1
12	51 652 00	Data plate	1
13	51 653 02	Cover	1
14	130 944	O-ring 149.3X5.7 NBR	1
15	50 893 02	Capacitor 30 MFD 275V	1
		Stator 1-phase 60 Hz 2- poles 115V Thermal contact	
		Stator 1-phase 50 Hz 2- poles 115V Thermal contact	
15	50 893 01	Capacitor 14 MFD 450V	1
		Stator 1-phase 50 Hz 2- poles 230V-240V	
15	50 893 00	Capacitor 12 MFD 450V	1
		Stator 1-phase 60 Hz 2- poles 220V-230V Thermal contact	
16	410 780	Terminal device 48X12X6 MAX.380V 18A	1
16	410 781	Terminal device 54X21X8.5 MAX.380V 18A	1
17	51 655 00	Cooling jacket ALUMINUM	1
18	410 008	Hex.socket hd screw M4X16-A2-70	1
19	50 844 00	Motor switch 115V 50HZ	1
		Stator 1-phase 50 Hz 2- poles 115V Thermal contact	
19	50 844 01	Motor switch 230V 50HZ	1
		Stator 1-phase 50 Hz 2- poles 230V-240V	
19	50 844 02	Motor switch 115V 60HZ	1
		Stator 1-phase 60 Hz 2- poles 115V Thermal contact	
19	50 844 03	Motor switch 230V 60HZ	1
		Stator 1-phase 60 Hz 2- poles 220V-230V Thermal contact	
20	132 017	O-ring 99.5X3.0 NBR	1
21	51 654 00	Stator housing	1
22	51 661 01	Stator 12-05-2b	1
		1-phase 60 Hz 2-poles 115V Thermal contact	
		1-phase 50 Hz 2-poles 115V Thermal contact	
22	51 661 02	Stator 12-05-2b	1
		1-phase 60 Hz 2-poles 220V-230V Thermal contact	
		Stator 1-phase 50 Hz 2- poles 230V-240V	
23	50 452 00	Spring washer 31.5X25X0.35	1
24	50 037 35	O-ring 26.0X1.2 NBR	1
25	50 287 02	Ball bearing 12X32X10	1
26	51 656 00	Shaft unit	1

Pos. No	Part. No	Denomination	Qty/Version
			230
27	50 287 01	Ball bearing 15X35X11	1
28	51 657 00	Bearing housing	1
29	50 037 38	O-ring 114.5X3.0 NBR	2
30	50 037 02	O-ring 104.5X3.0 NBR	1
31	50 453 00	Retaining ring	1
32	50 443 00	Oil housing	1
33	51 658 00	Washer 114.7X175.5X3	1
34	50 447 00	Wear protection	1
35	51 659 10	Torque flow impeller	N 50Hz 1-phase Maximum temperature 40 DC
35	51 659 11	Torque flow impeller	N 60Hz 1-phase Maximum temperature 40 DC
36	50 020 05	Plain washer 6.7X14X3- A2-140HV	1
37	50 896 00	Diffuser unit	1
38	50 037 34	O-ring 10.3X2.4 NBR	1
39	50 445 02	Inspection screw	1
41	51 660 01	Barrel nut	3
42	50 020 06	Plain washer 6.4X18X1.6- A4-170HV	3
43	51 866 00	Low suction cuff	1
44	51 867 00	Strainer low-suction	1
45	51 868 00	Valve	1
46	411 025	O-ring 170X3 NBR	1
800	51 663 00	O-ring kit	1
806	50 965 00	Seal kit	1
807	50 966 00	Outer seal kit	1
809	51 869 00	Low suction kit	1
814	51 665 00	Level switch kit	1
814	51 665 01	Level switch kit	1
900	51 664 00	Basic repair kit	1



Grindex
Gesällvägen 33
174 07 Sundbyberg
Sweden
Tel: +46-8-606 66 00
Fax: +46-8-745 53 28
www.grindex.com

Visit our Web site for the latest version of this document
and more information

The original instruction is in English. All non-English
instructions are translations of the original instruction.

© 2014 Grindex